

**Product Features**

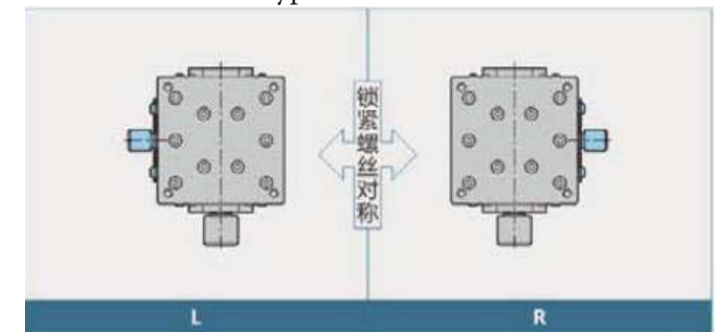
- ▶ The use of crossed roller guides enables high-precision and smooth movement.
- ▶ The main material is aluminum alloy, which is light in weight and suitable for built-in other devices.
- ▶ The drive mode can choose worm gear and differential head.

**Model Description**

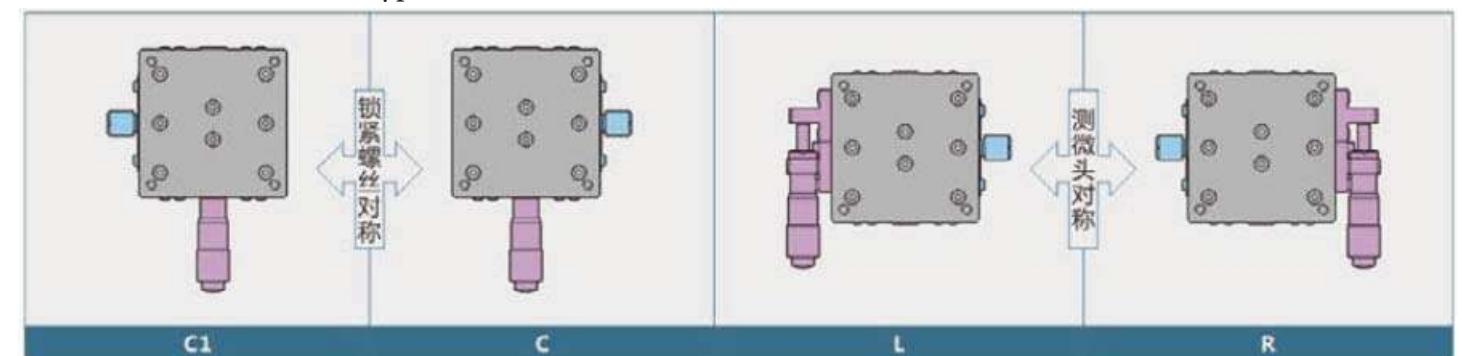
**T S X 60 - 50 - L**

moving way	drive mode	moving direction	table size	center height	Locking and Micrometer Head Position
parallel direction, cross rail type, Differential head drive.	S: Worm drive type F: Micrometer head driven type	X : $\alpha$ axis in one direction Y : both sides of the $\alpha\beta$ axis	unit:mm	unit:mm	refer to below photo

TS- Worm Drive Type



TF- Micrometer head drive type



TSX40-40-L



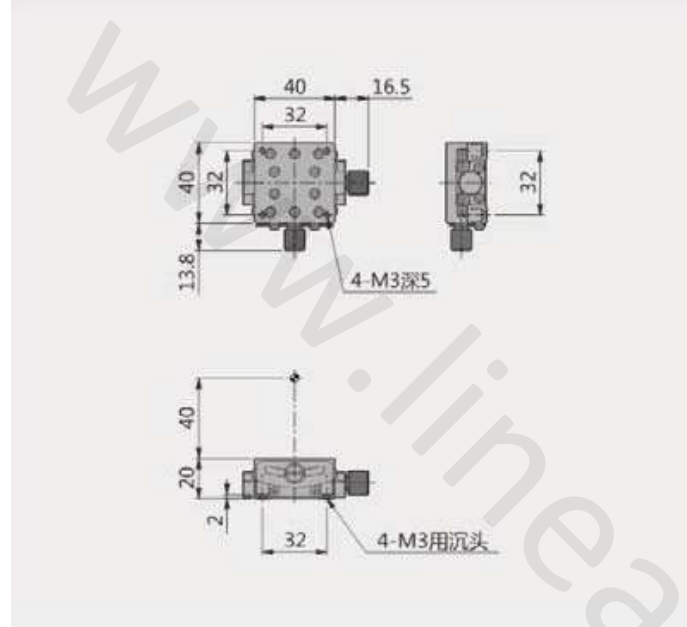
TSX40-60-L



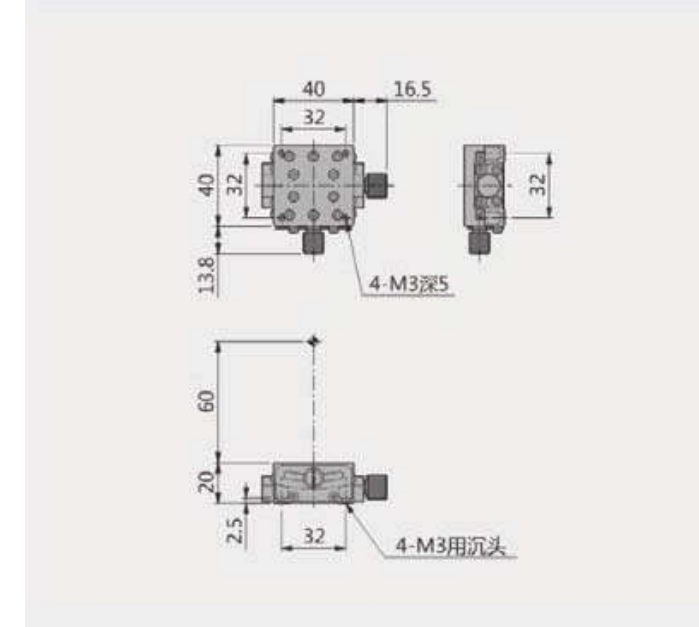
TSY40-40-L



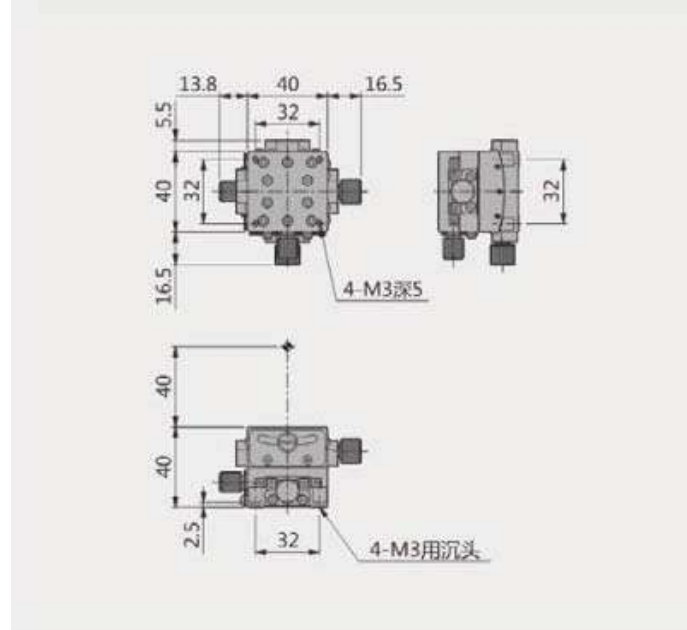
TSX40-40-L



TSX40-60-L



TSY40-40-L



Specifications

	TSX40-40-L	TSX40-60-L	TSY40-40-L
moving direction	$\alpha$ axis in one direction		$\alpha\beta$ axis in both directions
table size	40mm×40mm		
drive mode	worm wheel worm shaft		
center height	40±0.2	60±0.2	40±0.4
table thickness	20	20	40
stroke	±10°	±6°	(up) $\alpha$ axis ±10°, (down) $\beta$ axis ±6°
load	28.4N (3kgf)		
weight	0.13kg	0.13kg	0.26kg

TSX60-50-L



TSX60-75-L



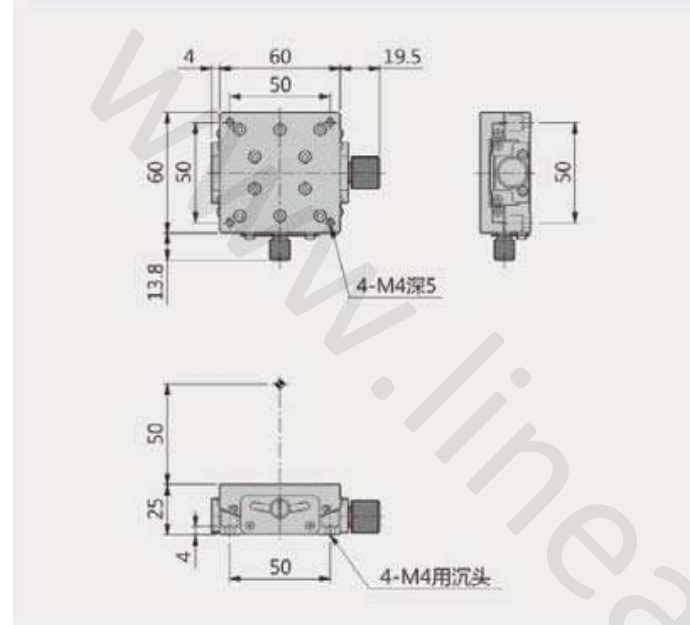
TSY60-50-L



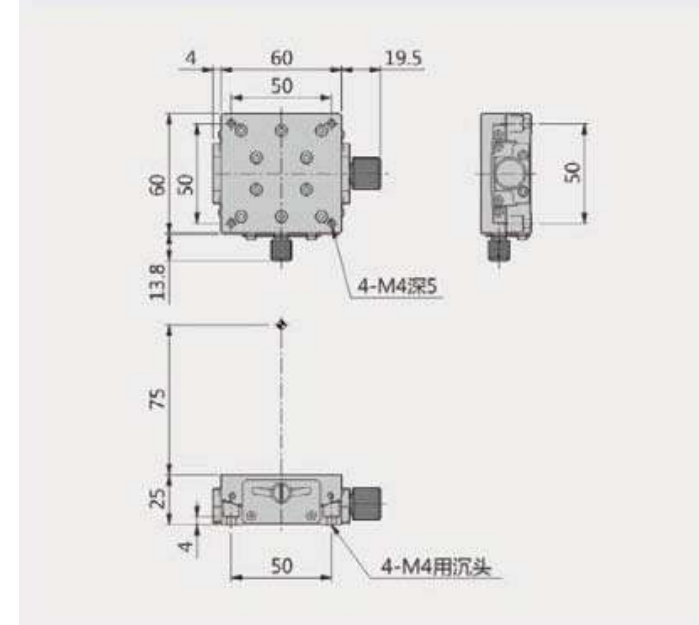
Specifications

	TSX60-50-L	TSX60-75-L	TSY60-50-L
moving direction	$\alpha$ axis in one direction		$\alpha\beta$ axis in both directions
table size	60mm×60mm		
drive mode	worm wheel worm shaft		
center height	50±0.2	75±0.2	50±0.4
table thickness	25	25	50
stroke	±10°	±6°	(up) $\alpha$ axis ±10°, (down) $\beta$ axis ±6°
load	49N (5kgf)		
weight	0.32kg	0.32kg	0.64kg

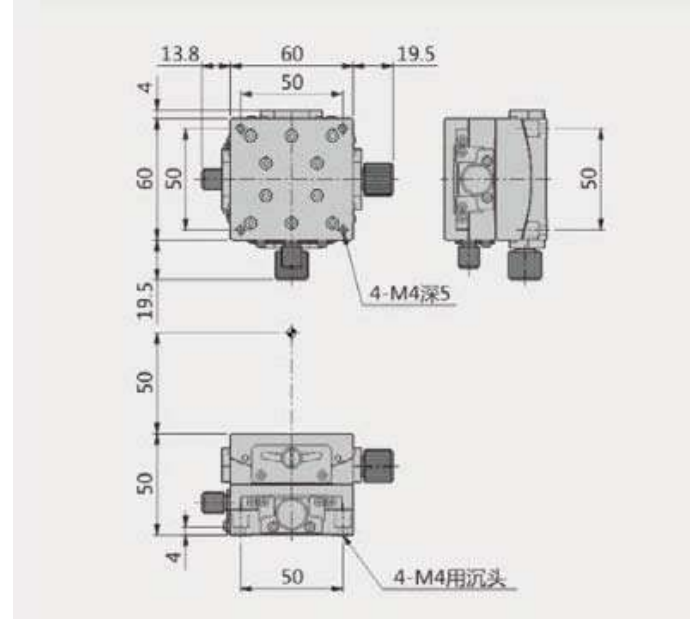
TSX60-50-L



TSX60-75-L



TSY60-50-L



TFX40-40-L



TFX40-60-L



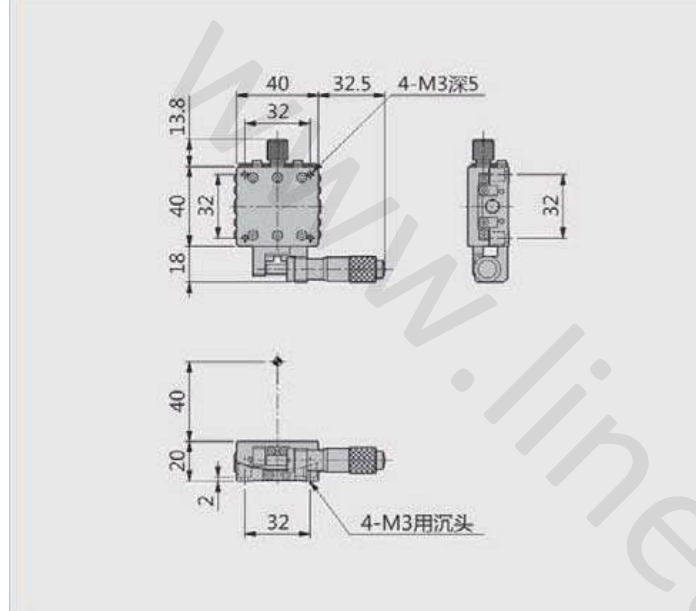
TFY40-40-L



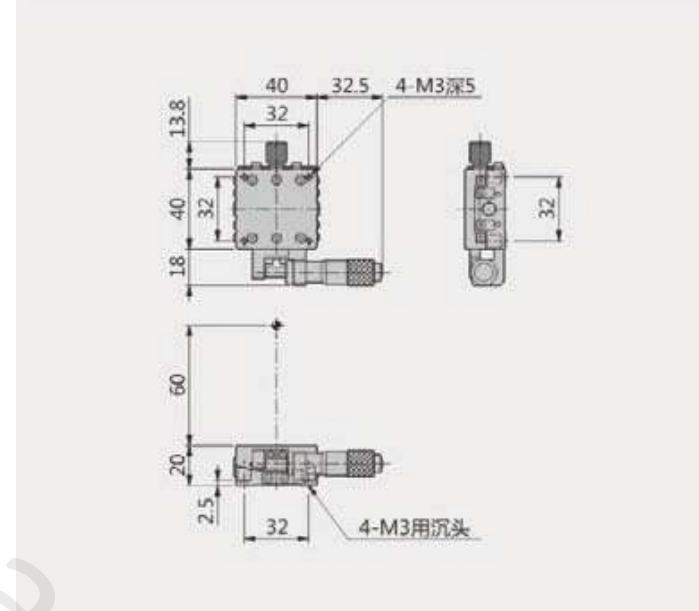
Specifications

	TFX40-40-L	TFX40-60-L	TFY40-40-L
moving direction	$\alpha$ axis in one direction		$\alpha\beta$ axis in both directions
table size	40mm×40mm		
drive mode	Differential head		
center height	40±0.2	60±0.2	40±0.4
table thickness	20	20	40
stroke	±7°	±6°	(up) $\alpha$ axis ±7°, (down) $\beta$ axis ±6°
load	28.4N (3kgf)		
height	0.13kg	0.13kg	0.13kg

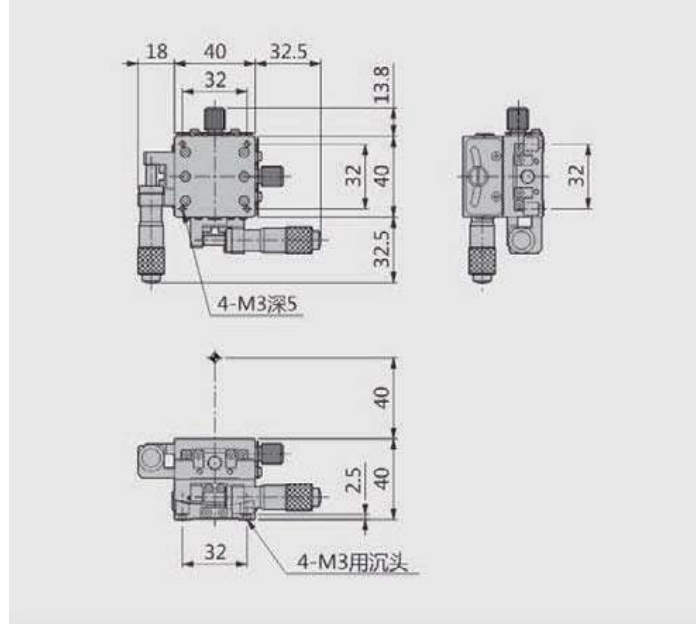
TFX40-40-L



TFX40-60-L



TFY40-40-L



TFX60-50-L



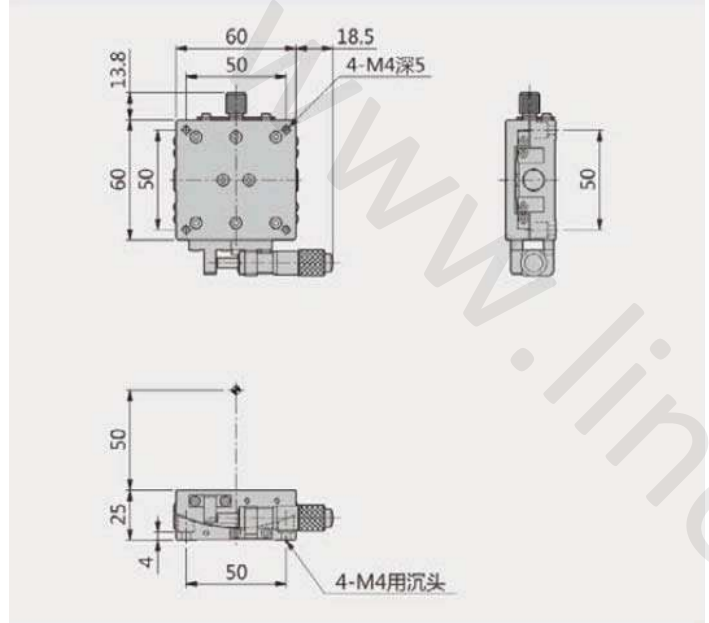
TFX60-75-L



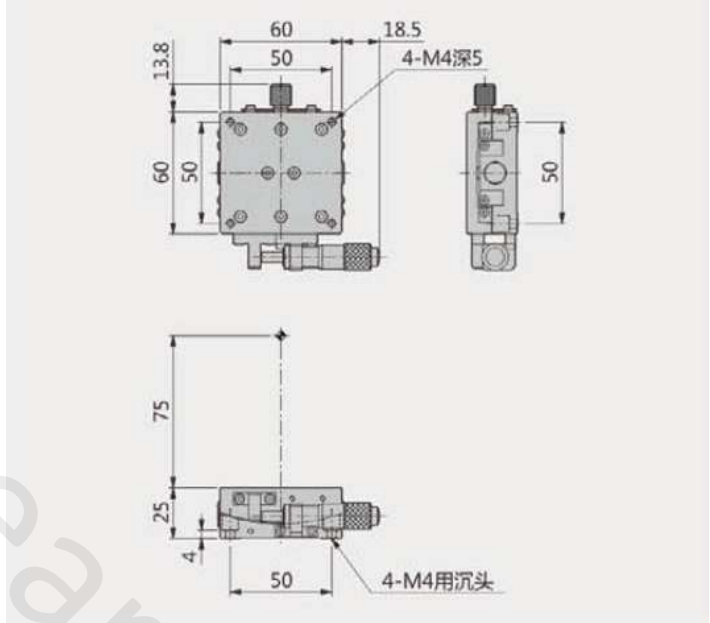
TFY60-50-L



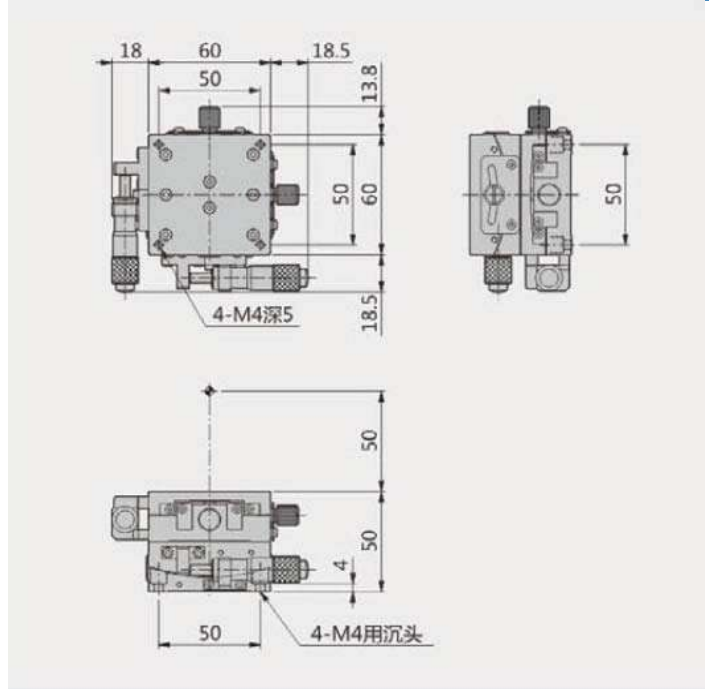
TFX60-50-L



TFX60-75-L



TFY60-50-L



Specifications

	TFX60-50-L	TFX60-75-L	TFY60-50-L
moving direction	$\alpha$ axis in one direction		$\alpha\beta$ axis in both directions
table size	60mm×60mm		
drive mode	Differential head		
center height	50±0.2	75±0.2	50±0.4
table thickness	25	25	50
stroke	±6°	±4°	(up) $\alpha$ axis ±6°, (down) $\beta$ axis ±4°
load	49N (5kgf)		
weight	0.29kg	0.29kg	0.58kg