

	X axis	Z axis
NE40-L	NX40-L	NZ-40
NE60-L	NX60-L	NZ-60
NE60-L-2	NX60-L	NZ60-2
NE80-L-2	NX80-L	NZ80-2
NE90-L-2	NX90-L	NZ90-2
NE125-L-2	NX125-L	NZ125-2

Model Description

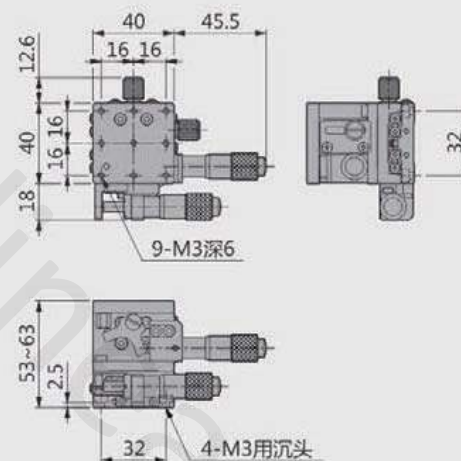
NE60-L-2

moving way	moving direction	table size	micrometer head position	Z axis method
parallel direction, cross rail type, Differential head	E: XZ two directions (horizontal lift)	unit:mm	refer to below photo	unmarked: single rail 2: Double rails

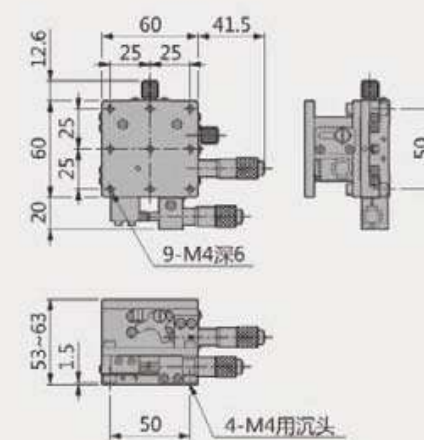
Specifications

	NE40-L	NE60-L	NE60-L-2	NE80-L-2	NE90-L-2	NE125-L-2
moving direction	One direction of XZ axis					
main material	aluminum alloy (black anode)					
drive mode	Differential head					
table size	40mmx40mm	60mmx60mm		80mmx80mm	90mmx90mm	125mmx125mm
stroke	X axis: ±6.5mm Z axis: 10mm			X axis: ±12mm Z axis: 10mm		X axis: ±12mm Z axis: 20mm
load	19.2N(2kgf)	29.4N(3kgf)	58.8N(6kgf)	88.2N(9kgf)		147N(15kgf)
Minimum scale	0.01mm					
weight	0.31kg	0.51kg	0.63kg	0.62kg	1.18kg	3.38kg

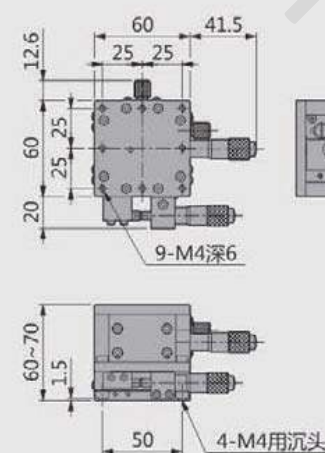
NE40-L



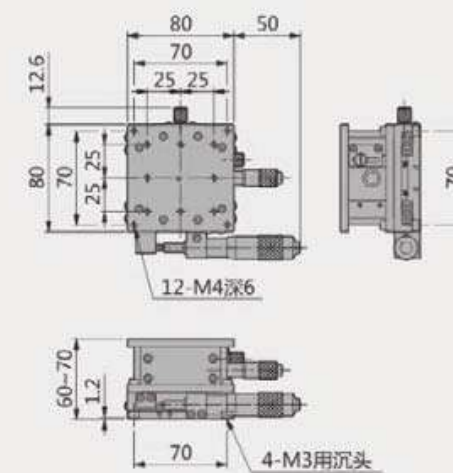
NE60-L



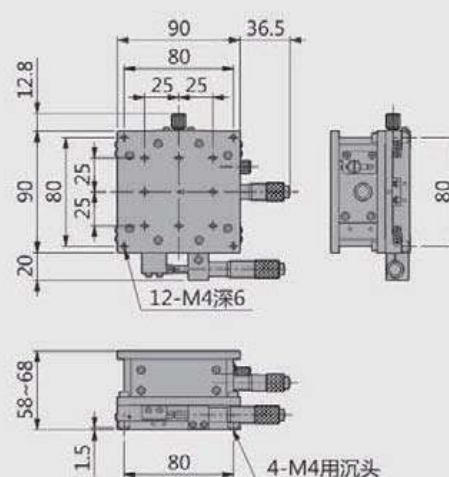
NE60-L-2



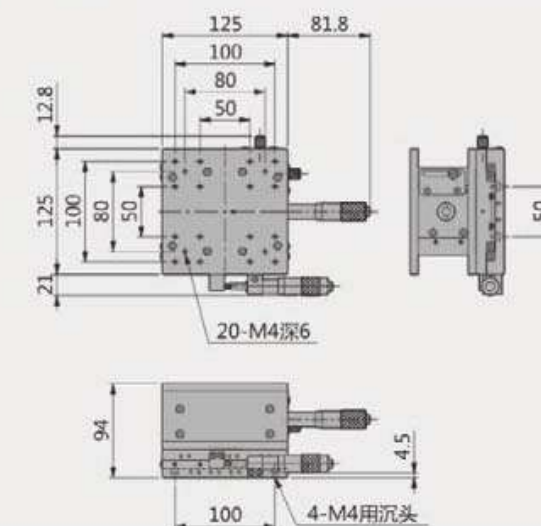
NE80-L-2

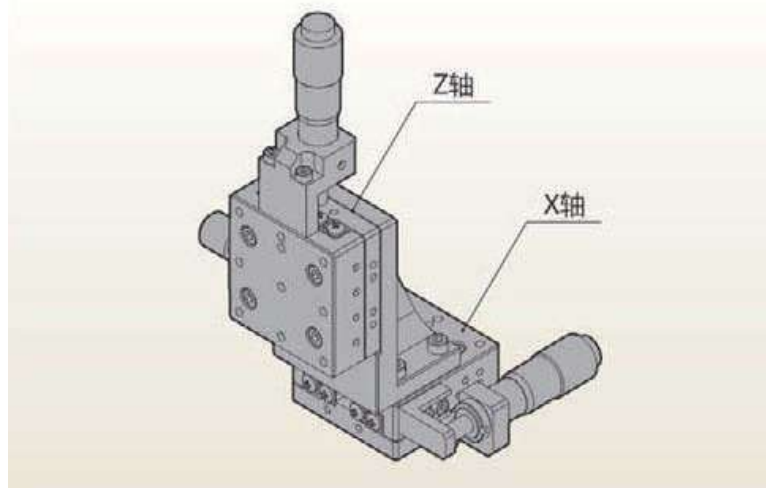


NE90-L-2



NE125-L-2



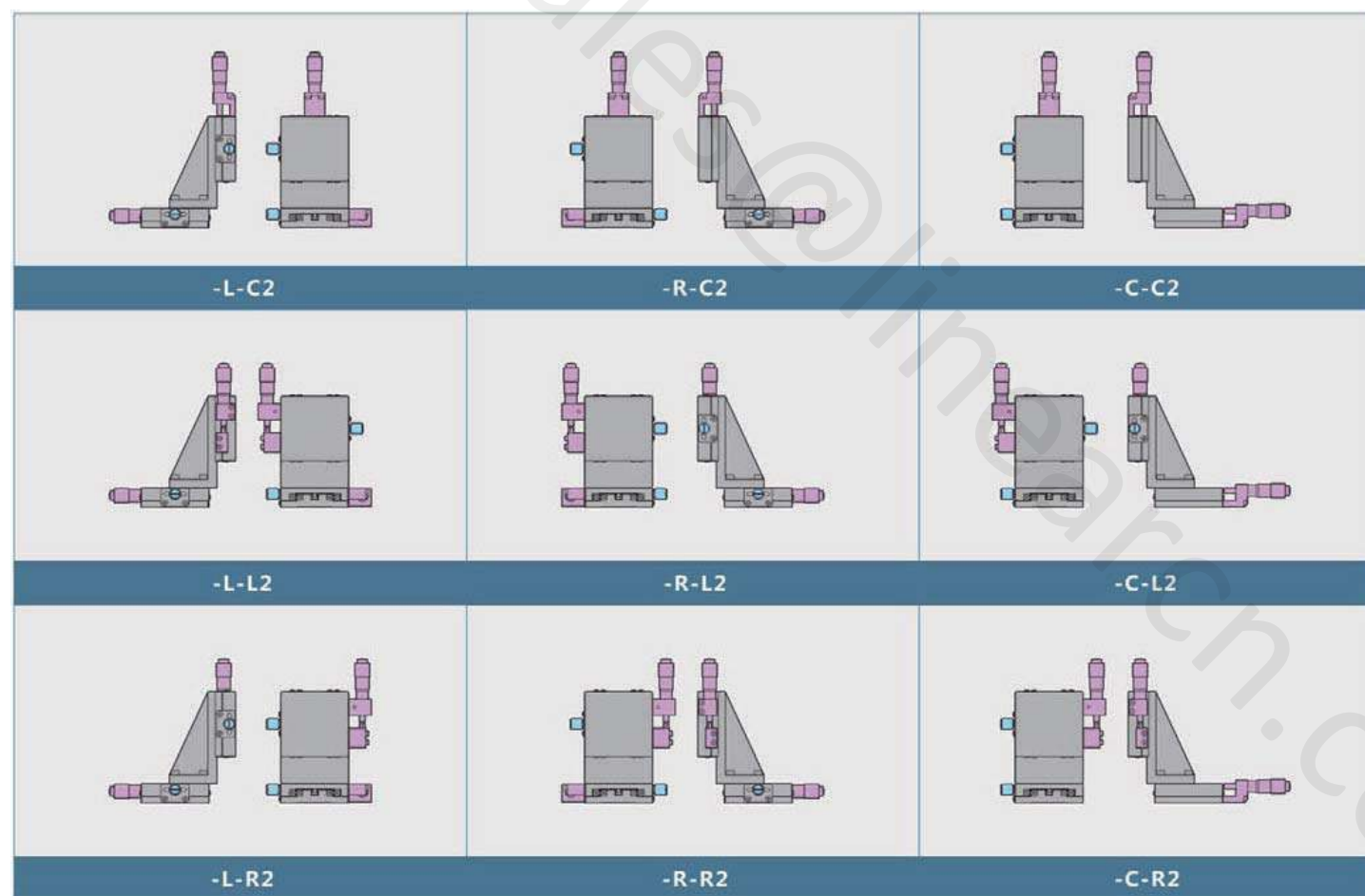


	X axis	Z axis
NEV40-L-C2	NX40-L	NV40-C2
NEV50-L-C2	NX50-L	NV50-C2
NEV60-L-C2	NX60-L	NV60 C2
NEV90-L-C2	NX90-L	NV90-C2

Model Description

N EV 60 - L - C2

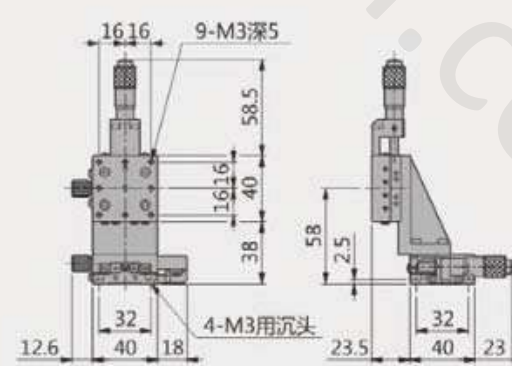
moving way	moving direction	table size	x axis micrometer head position	Z-axis differential head position
parallel direction, cross rail type, Differential head	EV : XZ both directions (vertical lift)	unit:mm		refer to below photo



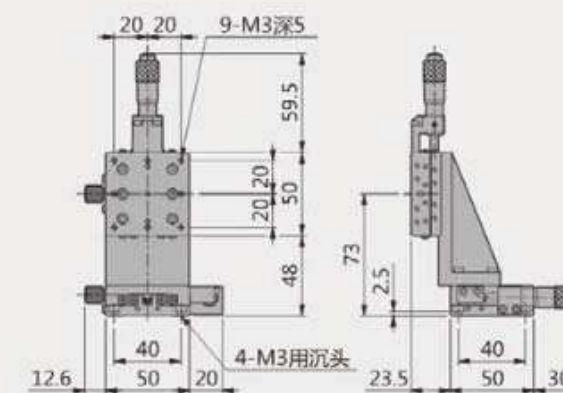
Specifications

	NEV40-L-C2	NEV50-L-C2	NEV60-L-C2	NEV90-L-C2
moving direction	XZ axis in both directions			
main material	aluminum alloy (black anode)			
drive mode	Differential head			
table size	40mmx40mm	50mmx50mm	60mmx60mm	90mmx90mm
stroke	X axis: ±6.5mm Z axis: ±6.5mm			X axis: ±12.5mm Z axis: ±6.5mm
load	19.2N(2kgf)	29.4N(3kgf)	39.2N(4kgf)	58.8N(6kgf)
minimum scale	0.01mm			
weight	0.36kg	0.52kg	0.69kg	1.35kg

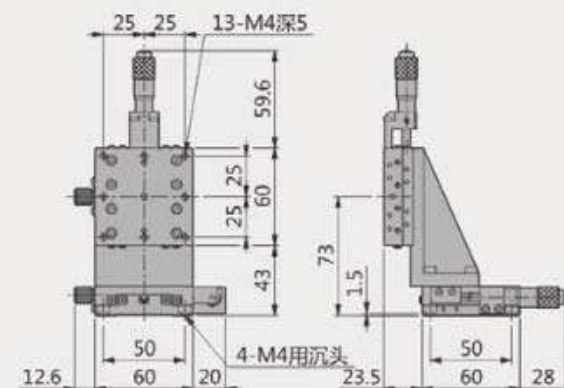
NEV40-L-C2



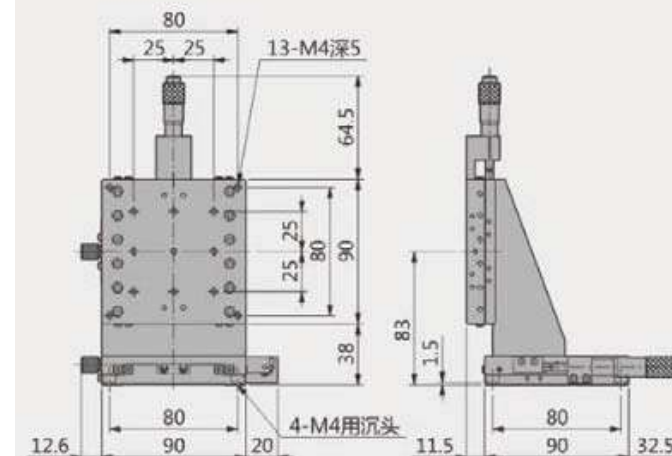
NEV50-L-C2

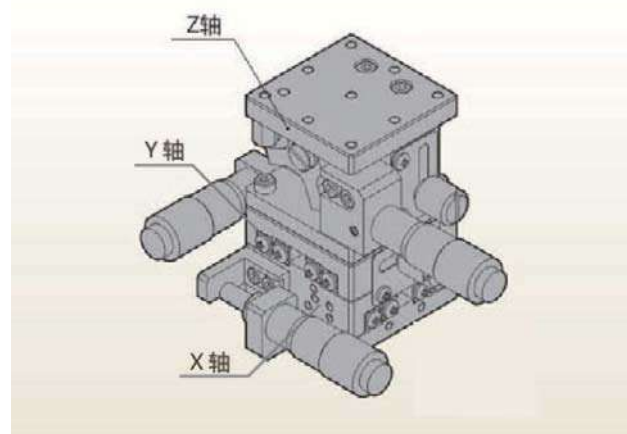


NEV60-L-C2



NEV90-L-C2



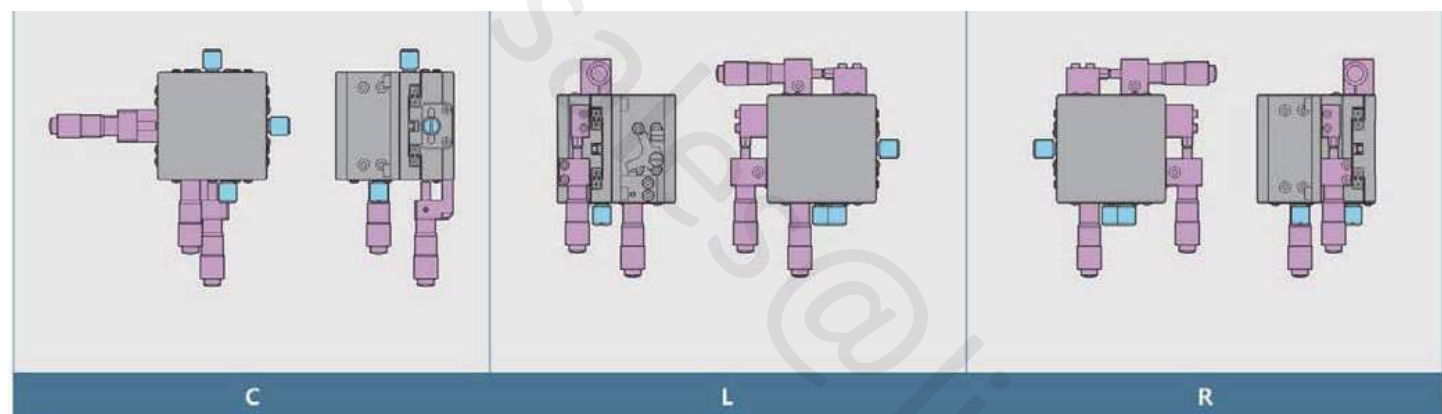


	XY axis	Z axis
ND40-LM	NY40-LM	NZ-40
ND60-LM	NY60-LM	NZ-60
ND60-LM-2	NY60-LM	NZ60-2
ND80-L-2	NY80-L	NZ80-2
ND90-LM-2	NY90-LM	NZ90 2
ND125-LM-2	NY125-LM	NZ125-2

Model Description

ND 60 - L - M - 2

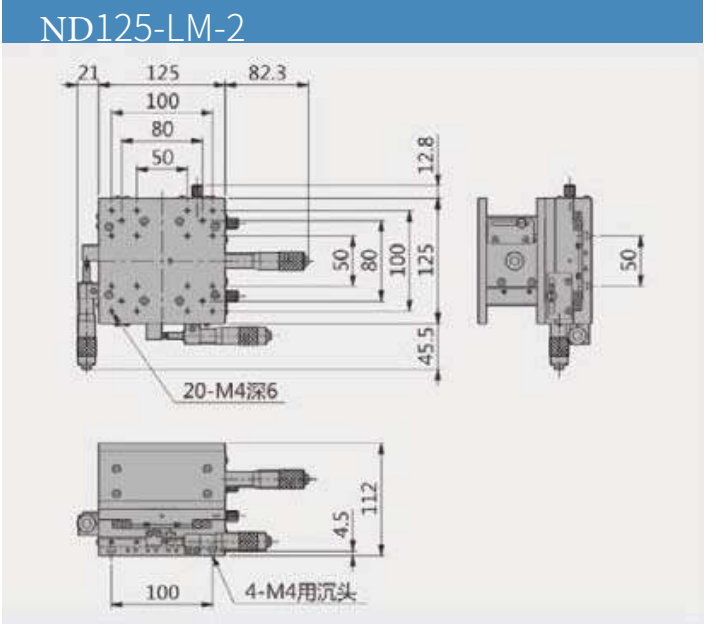
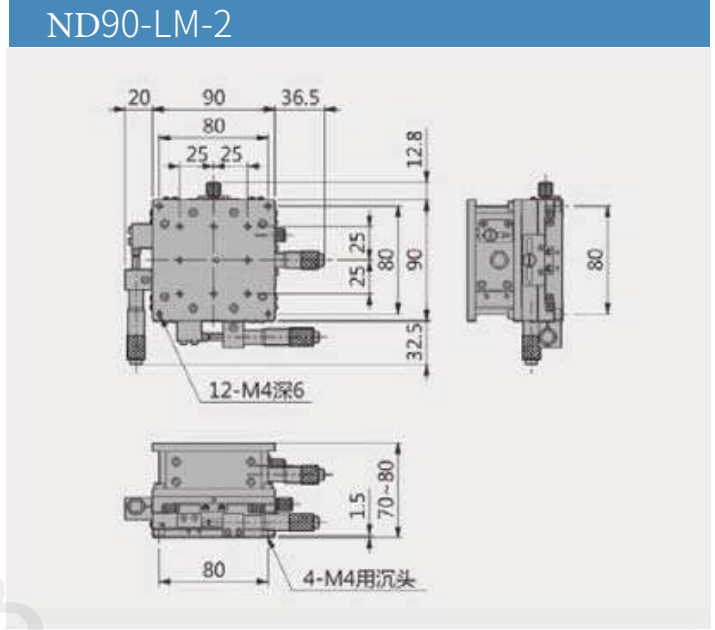
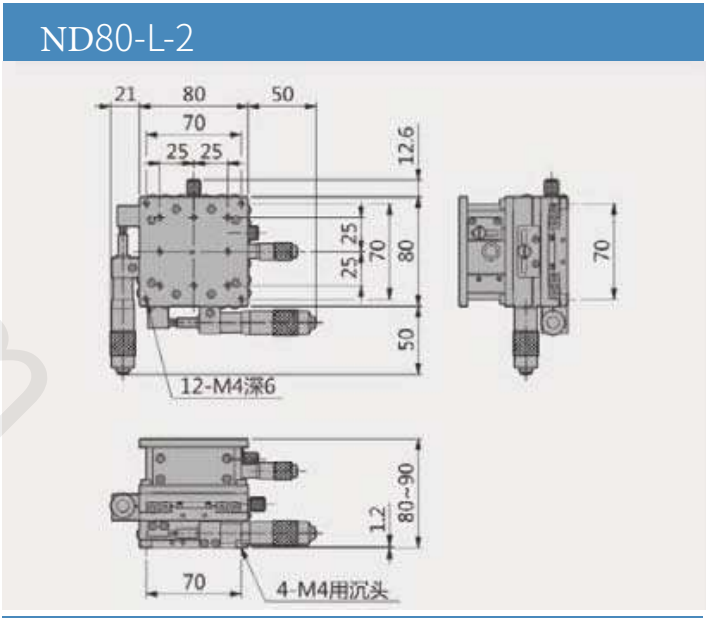
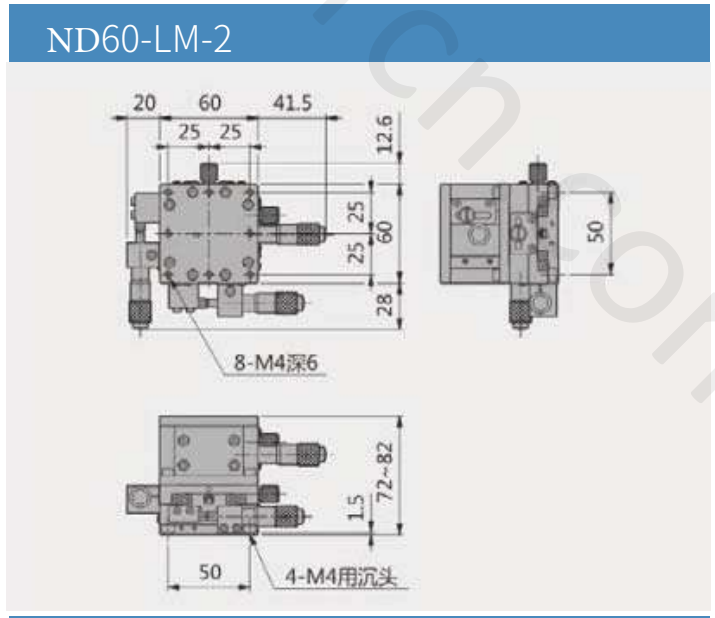
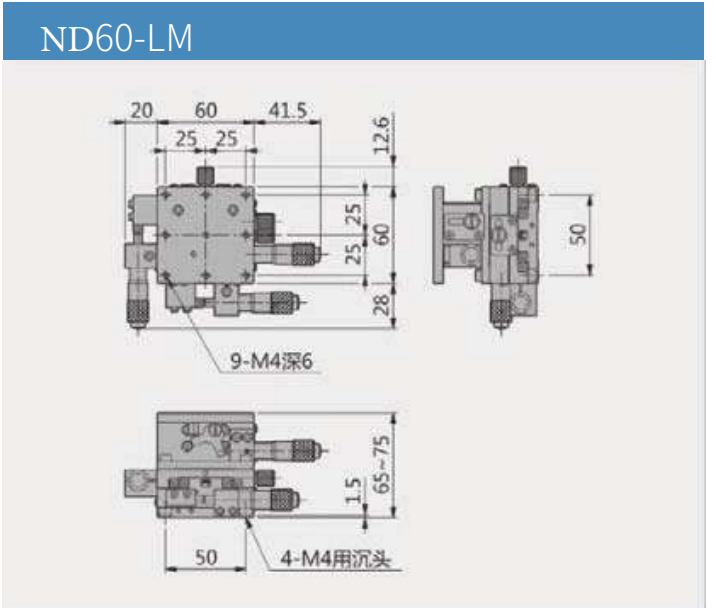
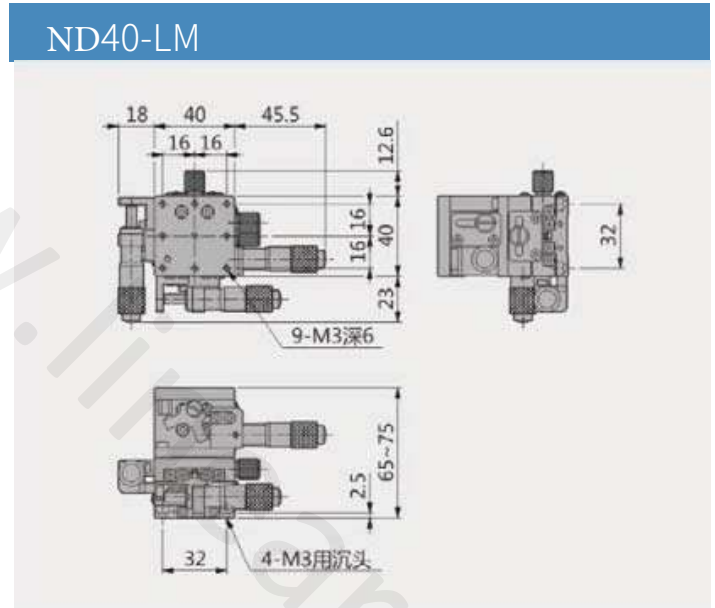
moving way	moving direction	table size	micrometer head position	XY axis combination	Z axis method
parallel direction, cross rail type, Differential head	D : XYZ three directions (horizontal lift)	unit:mm	refer to below photo	No mark: Standard M: thin B: Ultra-thin type	unmarked: single rail 2: Double rails

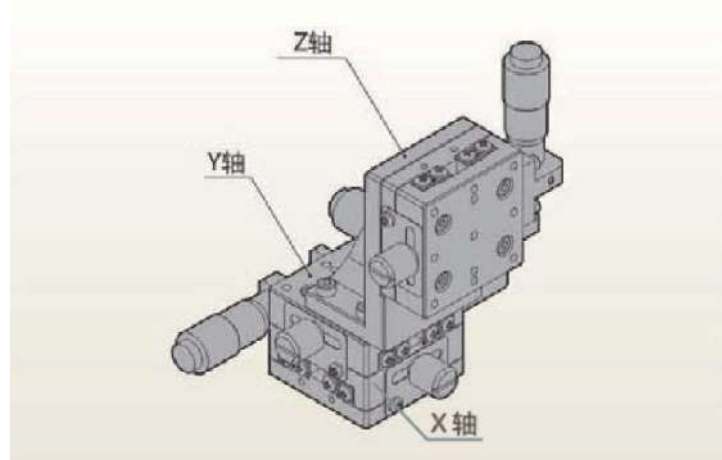


In addition to the above combination forms, it can also be spun according to customer needs, if necessary, please contact the sales staff.

Specifications

	ND40-LM	ND60-LM	ND60-LM-2	ND80-L-2	ND90-LM-2	ND125-LM-2
moving direction	XYZ axis in one direction					
main materail	aluminum alloy (black anode)					
drive mode	Differential head					
table size	40mmx40mm	60x60mm		80x80mm	90x90mm	125mmx125mm
stroke	XY axis: ±6.5mm Z axis:10mm			XY axis: ±12.5mm Z axis:10mm		XY axis: ±12.5mm Z axis:20mm
load	19.2N(2kgf)	29.4N(3kgf)	58.8N(6kgf)	88.2N(9kgf)		147N(15kgf)
min scale	0.01mm					
weight	0.44kg	0.75kg	0.87kg	1.62kg	1.7kg	4.78kg



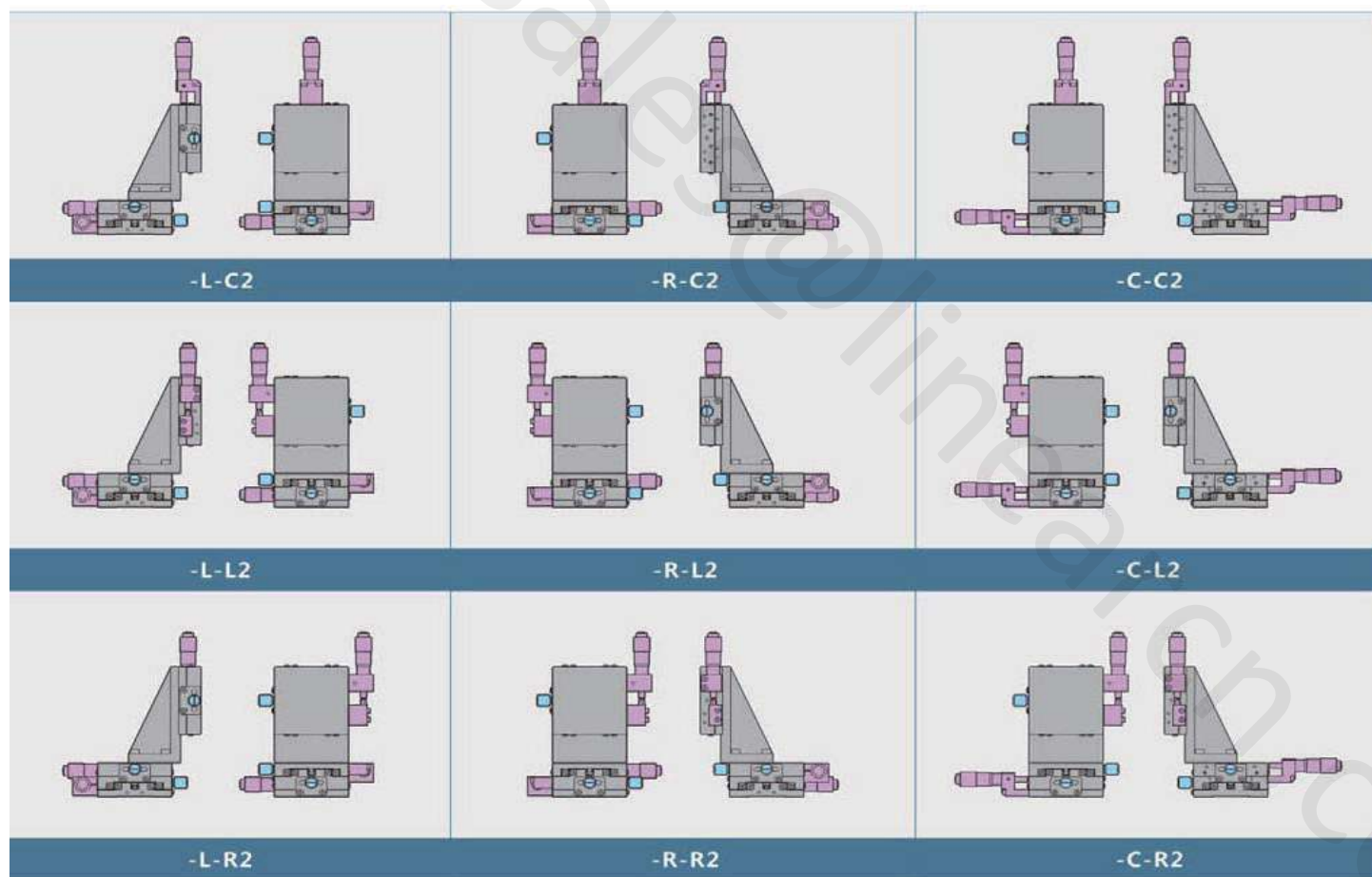


	XY axis	Z axis
NDV40-LM-C2	NY40-LM	NV40-C2
NDV50-LM-C2	NY50-LM	NV50-C2
NDV60-LM-C2	NY60-LM	NV60-C2
NDV90-LM-C2	NY90-LM	NV90-C2

Model Description

N DV 60 - L - M - C2

moving way	moving direction	table size	xy axis micrometer head position	XY axis combination	Z axis differential head position
parallel direction, cross rail type, Differential head	D : XYZ three directions (vertical lift)	unit:mm	refer to below photo	No mark: Standard M: thin B: Ultra-thin type	refer to below photo

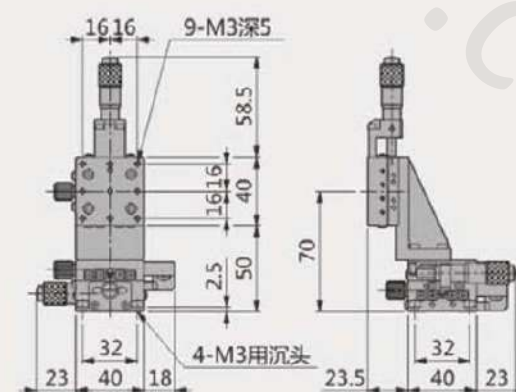


In addition to the above combination forms, it can also be spun according to customer needs, if necessary, please contact the sales staff.

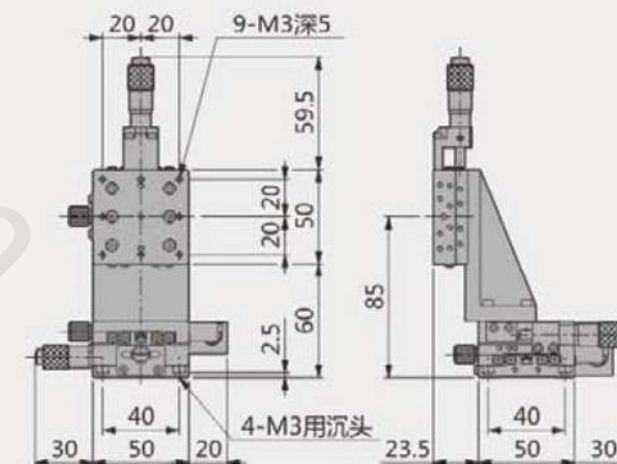
Specifications

	NDV40-LM-C2	NDV50-LM-C2	NDV60-LM-C2	NDV90-LM-C2
moving direction	Three directions of XYZ axis			
main material	aluminum alloy (black anode)			
drive mode	Differential head			
table size	40mmx40mm	50mmx50mm	60mmx60mm	90mmx90mm
stroke	XY axis: $\pm 6.5\text{mm}$ Z axis: $\pm 6.5\text{mm}$			XY axis: $\pm 12.5\text{mm}$ Z axis: $\pm 6.5\text{mm}$
load	19.2N(2kgf)	29.4N(3kgf)	39.2N(4kgf)	58.8N(6kgf)
Minimum scale	0.01mm			
weight	0.49kg	0.62kg	0.93kg	1.83kg

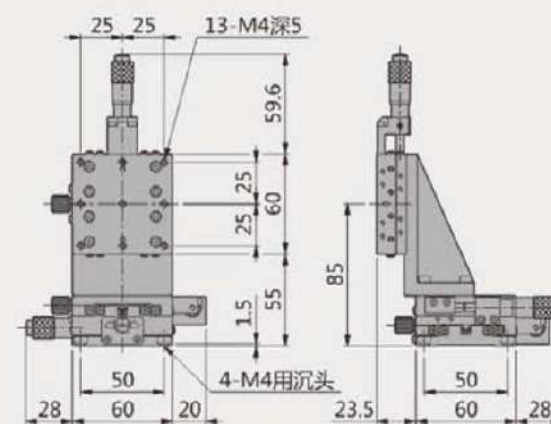
NDV40-LM-C2



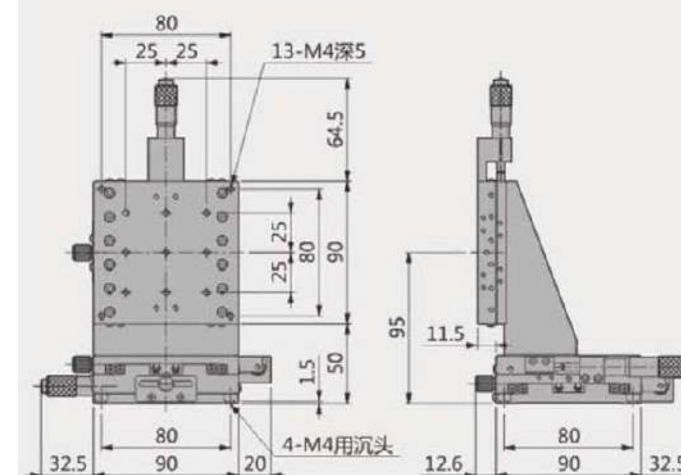
NDV50-LM-C2

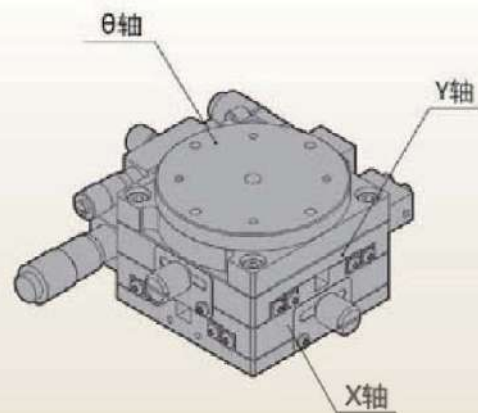


NDV60-LM-C2



NDV90-LM-C2



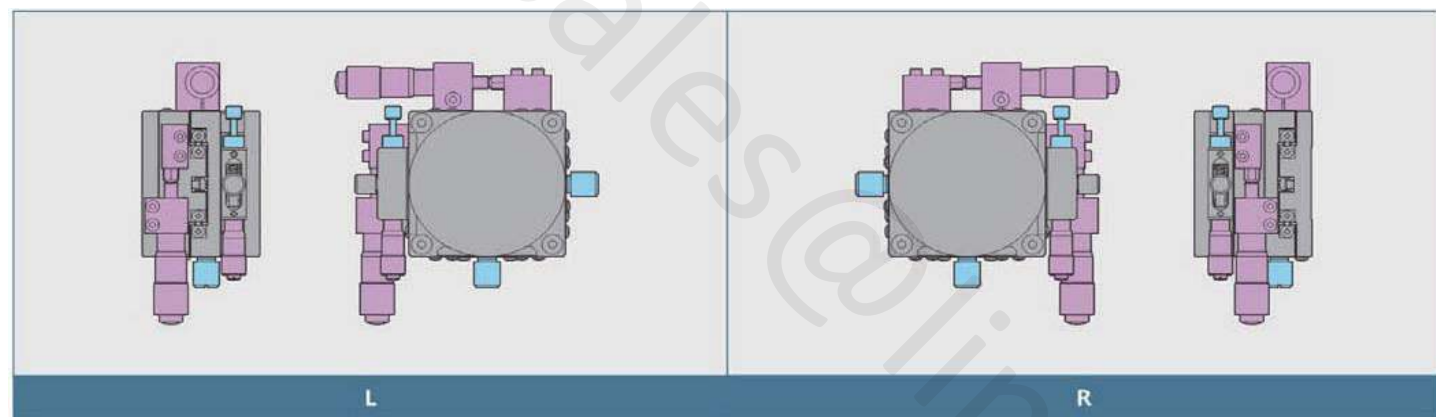


	XY AXIS	θ AXIS
NSP40-LM	NY40-LM	LNP40-L
NSP60-LM	NY60-LM	LN60-L
NSP60-LM	NY60-LM	LNP60-L
NSP80-L	NY80-L	LNP80-L
NS90-LM	NY90-LM	LN90-L
NSP90-LM	NY90-LM	LNP90-L
NS125-LM	NY125-LM	LN125-L
NSP125-LM	NY125-LM	LNP125-L

Model Description

N S P 60 - L - M

moving way	moving direction	θ axis accuracy	table size	micrometer head position	XY-axis differential head position
parallel direction, cross rail type, Differential head	S: XYθ three directions (vertical lift)	No mark: Standard type P: Precision	unit:mm	refer to below photo	No mark: Standard type M: thin B: Ultra-thin type

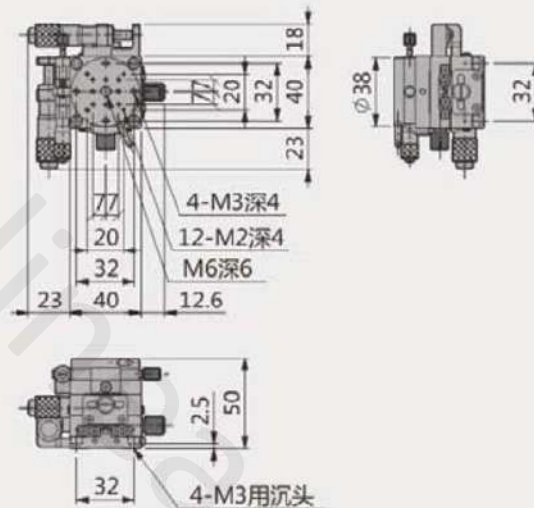


In addition to the above combination forms, it can also be spun according to customer needs, if necessary, please contact the sales staff.

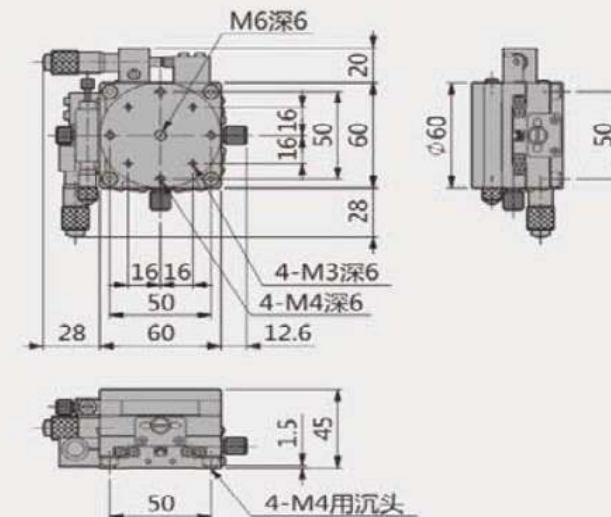
Specifications

	NSP40-LM	NS60-LM	NSP60-LM	NSP80-L	NS90-LM	NSP90-LM
moving direction	Three directions of XYθ axis					
main material	aluminum alloy (black anode)					
drive mode	Differential head					
table size	φ 38mm	φ 60mm	φ 80mm	φ 90mm		
stroke	XY axis: ±6.5mm θ axis: 360°coarse adjustment ±5°fine adjustment			XY axis: ±12.5mm axis: 360°coarse adjustment ±5°fine adjustment		
load	8.8N(1kgf)	29.4N(3kgf)	39.2N(4kgf)	29.4N(3kgf)	39.2N(4kgf)	
Minimum scale	0.01mm					
weight	0.37kg	0.64kg	0.78kg	1.57kg	1.5kg	1.62kg

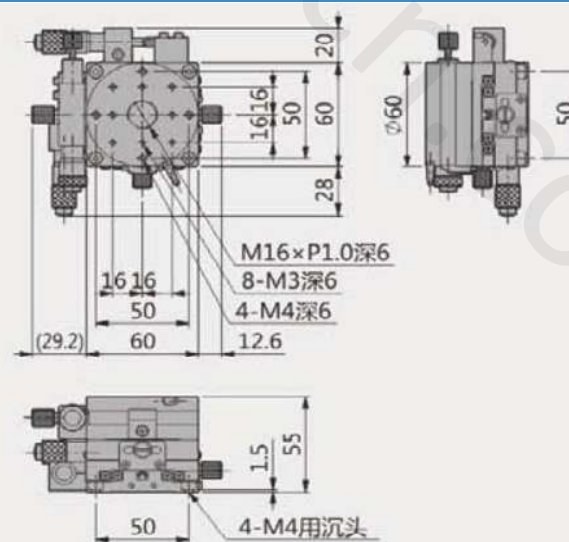
NSP40-LM



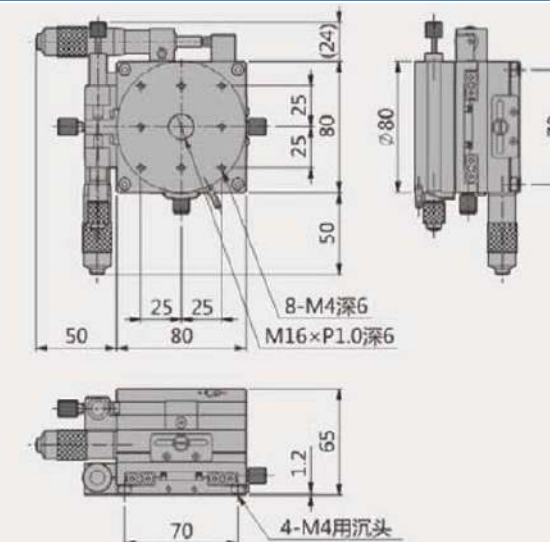
NS60-LM



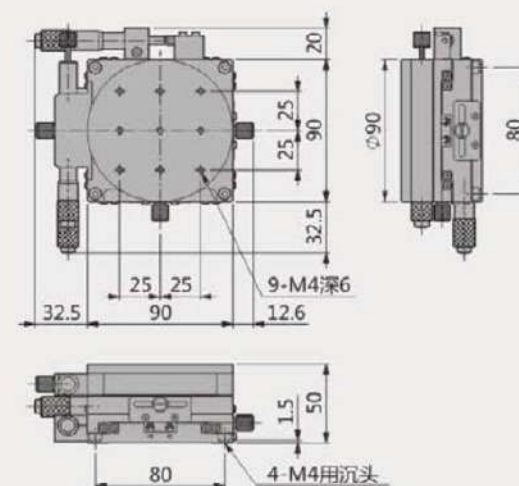
NSP60-LM



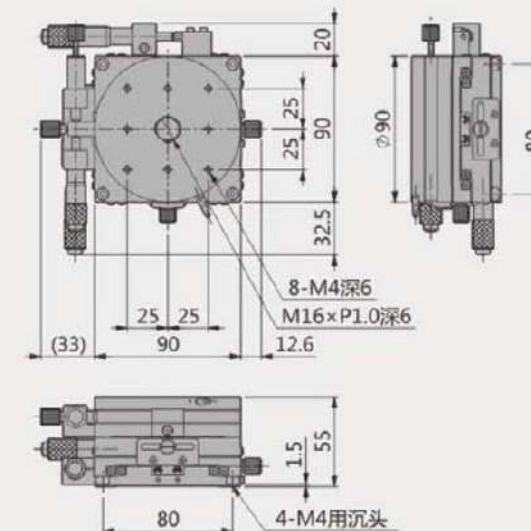
NSP80-L



NS90-LM

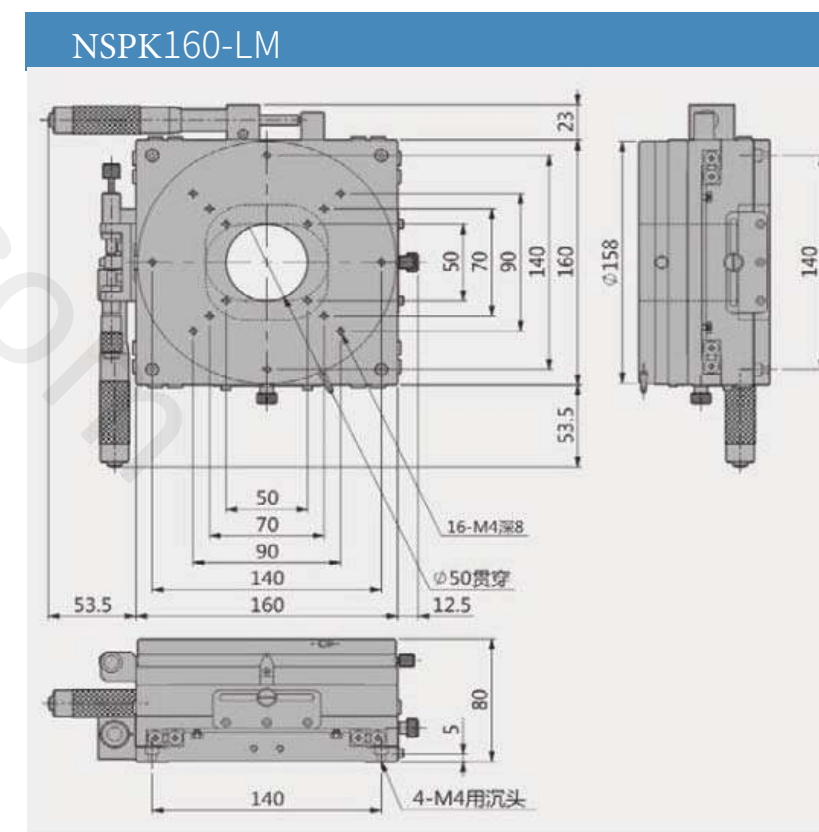
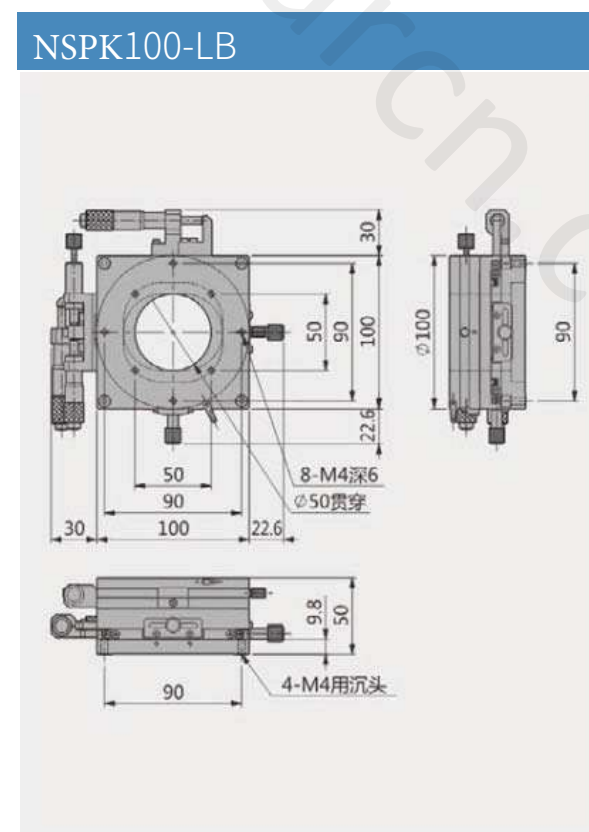
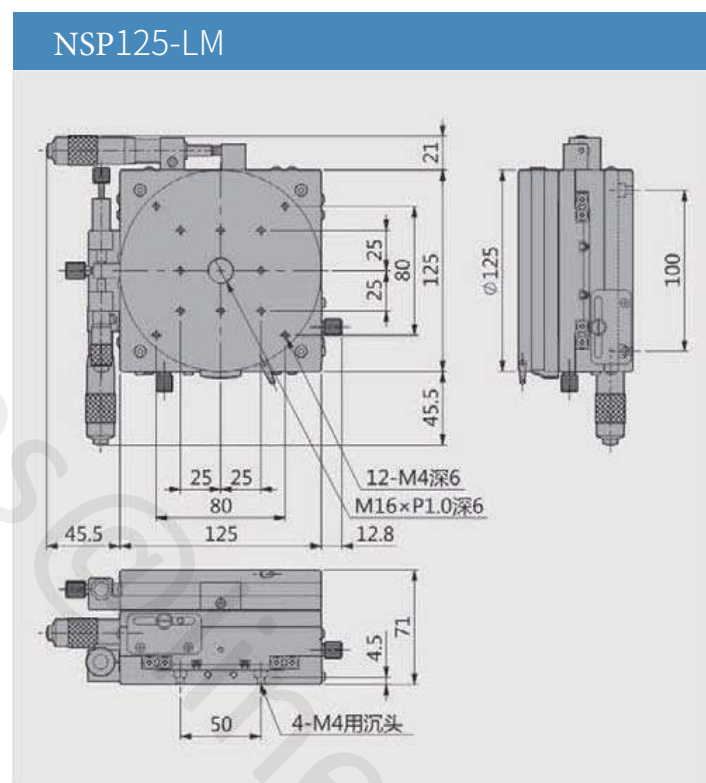
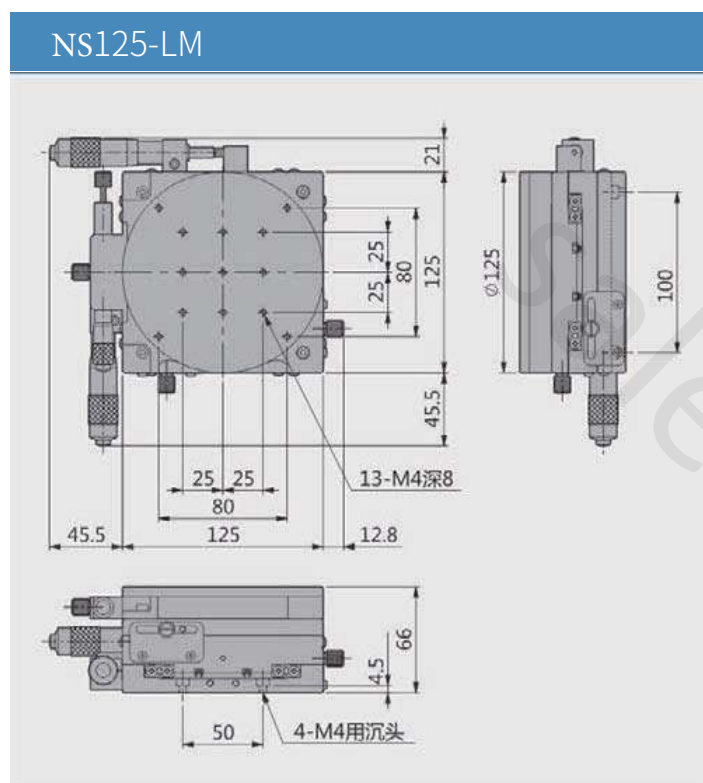


NSP90-LM



	NS125-LM	NSP125-LM
moving direction	Three directions of XYθ axis	
main material	aluminum alloy (black anode)	
drive mode	Differential head	
table size	φ 125mm	
stroke	XY axis: ±12.5mm θ axis: 360°coarse adjustment ±5°fine adjustment	
load	49N(5kgf)	
Minimum scale	0.01mm	
weight	2.42kg	2.72kg

	NSPK100-LB	NSPK160-LM
moving direction	Three directions of XYθ axis	
main material	aluminum alloy (black anode)	
drive mode	Differential head	
table size	φ 100mm	φ 158mm
stroke	XY axis: ±12.5mm θ axis: 360°coarse adjustment ±5°fine adjustment	XY axis: ±25mm θ axis: 360°coarse adjustment ±5°fine adjustment
load	49N(5kgf)	
Minimum scale	0.01mm	
weight	1.39kg	6.04kg

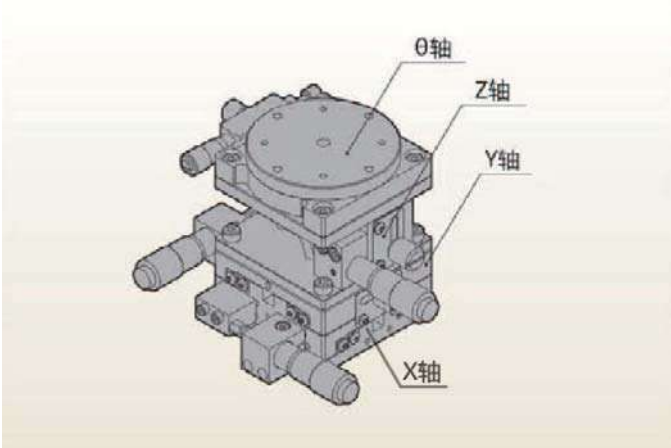


Combined platform

	XY axis	θ axis
NSP60-LM	NY125-LM	LN125-L
NSP80-L	NY125-LM	LNP125-L

Combined platform

	XY axis	θ axis
NSPK100-LB	NY100-LBK	LNPT100-L
NSPK160-LM	NY160-LMK	LNPT160-L

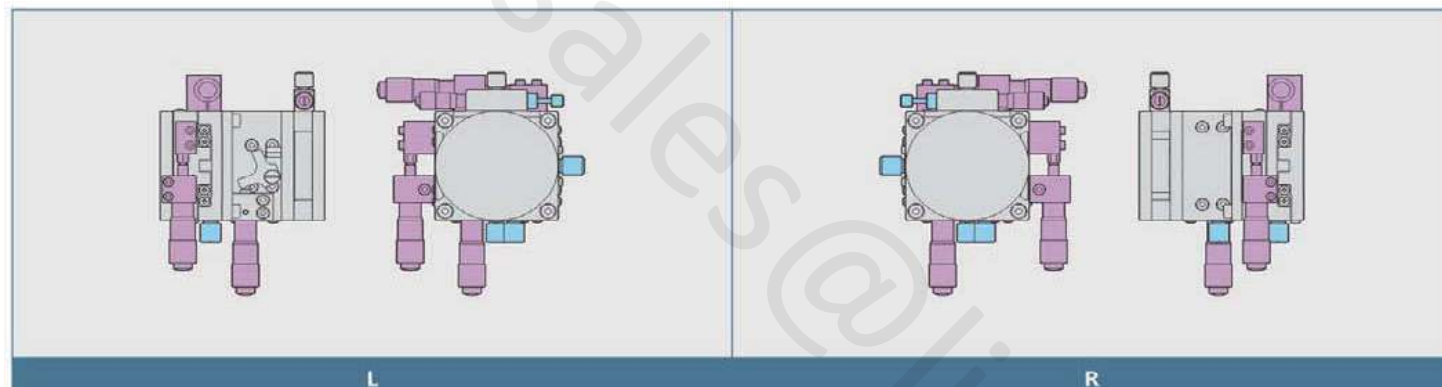


	XY axis	Z axis	θ axis
NTP40-LM	NY40-LM	NZ-40	LNP40-L
NT60-LM	NY60-LM	NZ-60	LN60-L
NTP60-LM-2	NY60-LM	NZ-60-2	LNP60-L
NTP80-L-2	NY80-L	NZ-80-2	LNP80-L
NT90-LM-2	NY90-LM	NZ-90-2	LNP90-L
NTP90-LM-2	NY90-LM	NZ-90-2	LNP90-L
NT125-LM-2	NY125-LM	NZ-125-2	LN125-L
NTP125-LM-2	NY125-LM	NZ-125-2	LNP125-L

Model Description

N T P 60 - L - M - 2

moving way	moving direction	θ axis accuracy	table size	Micrometer head position	XY axis combination	z axis model
parallel direction, cross rail type, Differential head	T : XYZθ four directions (vertical lift)	No mark: Standard type P: Precision	unit: mm	refer to below photo	No mark: Standard type M: thin B: Ultra-thin type	unmarked: single rail 2: Double rails

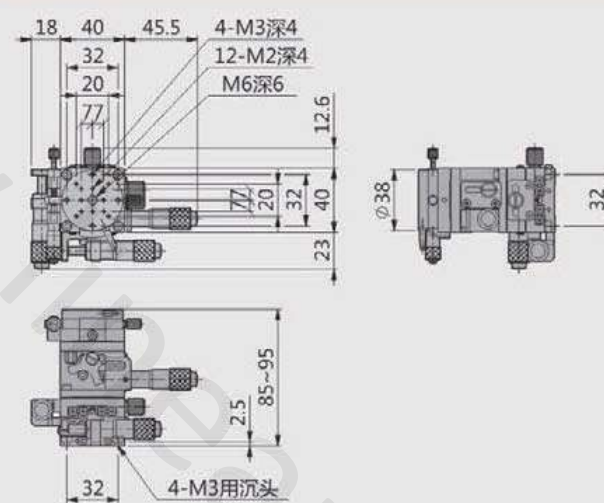


In addition to the above combination forms, it can also be spun according to customer needs, if necessary, please contact the sales staff.

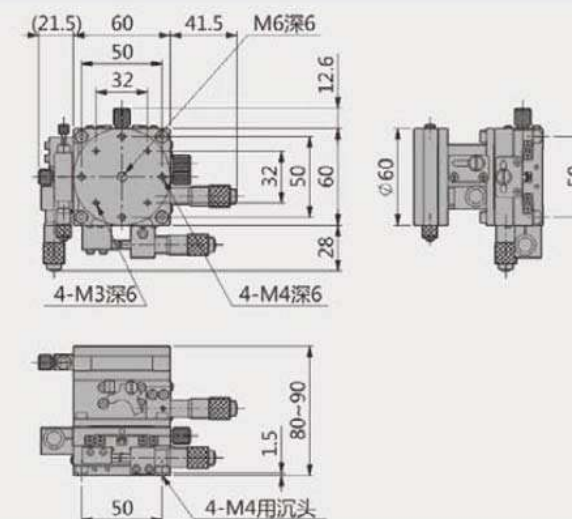
Specifications

	NTP40-L	NT60-LM	NTP60-LM-2	NTP80-L-2	NTP90-LM-2
moving direction	Four directions of XYZθ axis				
main material	aluminum alloy (black anode)				
drive mode	Differential head				
tabe size	φ 38mm	φ 60mm		φ 80mm	φ 90mm
stroke	XY axis: ±6.5mm Z axis: 10mm θ axis: 360° coarse adjustment, ±5° fine adjustment		XY axis: ±12.5mm Z axis: 10mm θ axis: 360° coarse adjustment, ±5° fine adjustment		
load	9.8N(1kgf)	29.4N(3kgf)	39.2N(4kgf)		
minimum scale	0.01mm				
weight	0.54kg	0.91kg	1.17kg	2.14kg	2.33kg

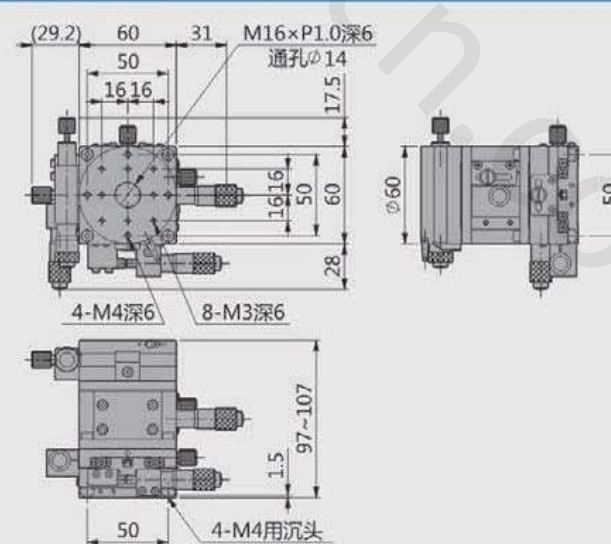
NTP40-LM



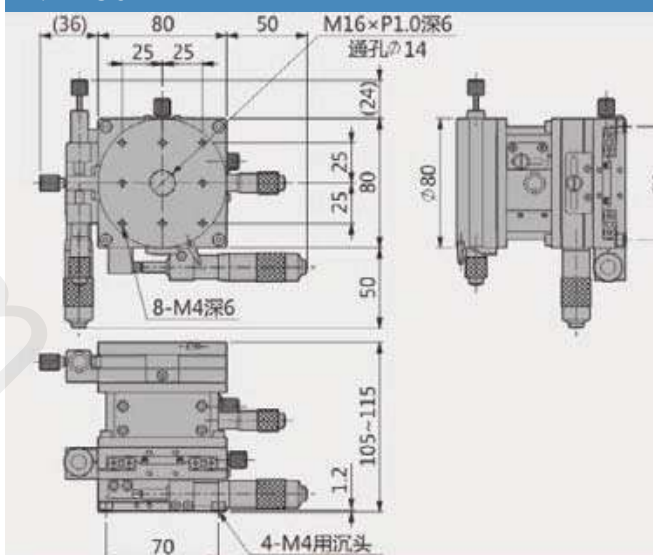
NT60-LM



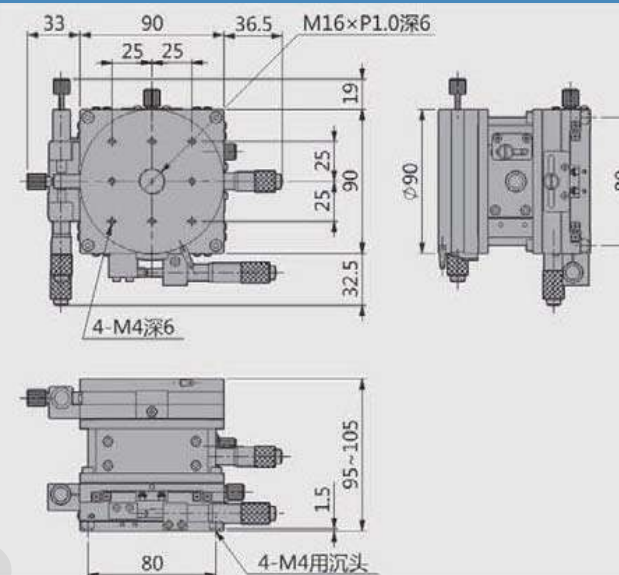
NTP60-LM-2



NTP80-L-2

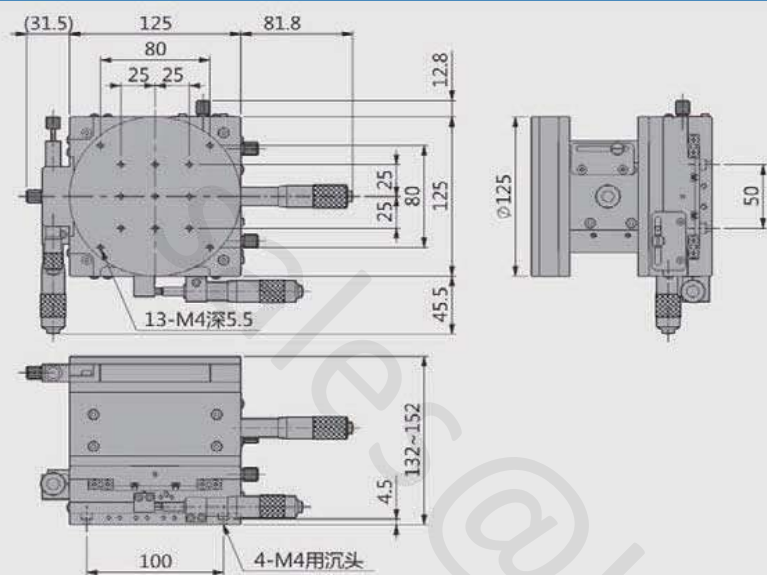


NTP90-LM-2

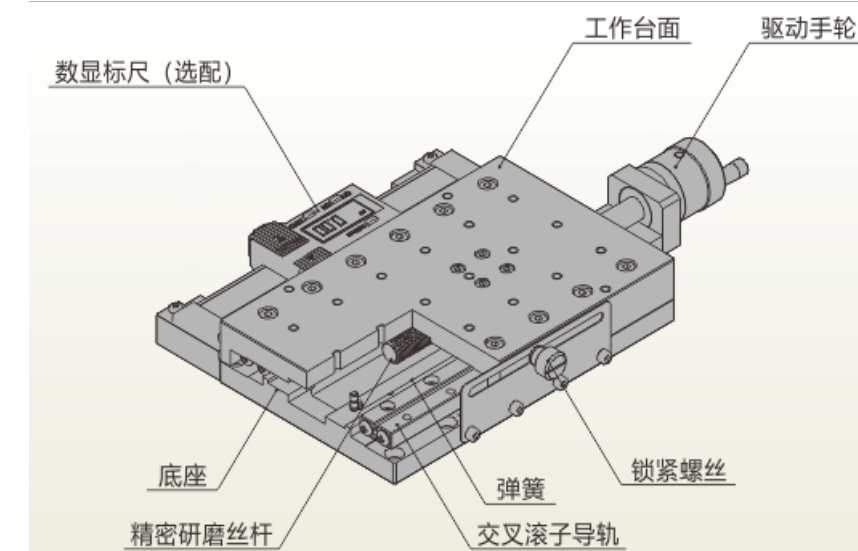
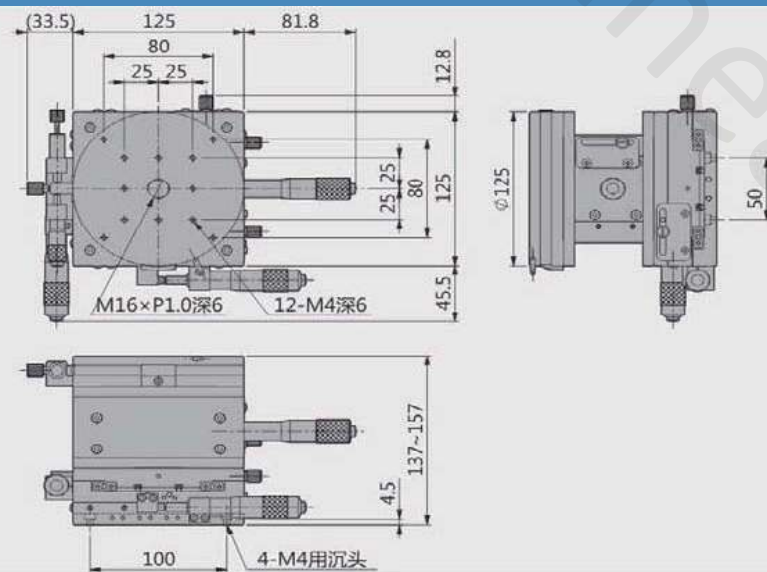


	NT125-LM-2	NTP125-LM-2
moving direction	Four directions of XYZθ axis	
main material	aluminum alloy (black anode)	
drive mode	Differential head	
desk table	φ 125MM	
stroke	XY axis: ±12.5MM Z axis: 20MM θ axis: 360°coarse adjustment ±5°fine adjustment	
load	49N(5kgf)	
Minimum scale	0.01mm	
weight	4.40kg	4.70kg

NT125-LM-2



NTP125-LM-2



Product Features

- ▶ The use of crossed roller guides enables high-precision and smooth movement.
- ▶ The main material is aluminum alloy, which is light in weight and suitable for built-in other devices.
- ▶ The driving method is precision ground screw + hand wheel. Digital scale can be installed.

Model Description

NM X 1016 - D

moving way	moving direction	table size	Ruler method
parallel direction, cross rail type, Differential head drive.	T : XYZθ four directions (vertical lift)	unit: mm	No mark: Standard type M: thin B: Ultra-thin type